

# SIMONSWERK

## BAKA®

### butt hinge H 160 ZK

for unrebated timber door leaves (Berliner hinge)

#### hinge

#### Technical details

knuckle length	160,0 mm
overall length	242,0 mm
h x b frame leaf	80,0 x 40,0 mm
material thickness	2,75 mm
screws	5,0 x 50,0 mm
h x b door leaf	80,0 x 37,0 mm
pin diameter	11,0 mm

#### Note

Version with loose pin and level straps.

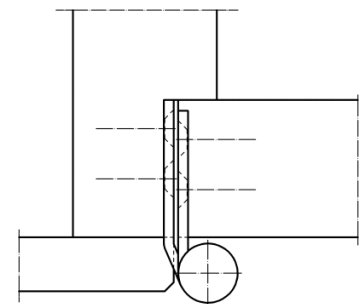
Use of washers or ball bearings obligatory. These are not included in the delivery.

#### Combination

accessories	iron washer 11 mm ball bearing 11 mm
-------------	---

**Items** (DIN reference: DIN right and left hand)

<b>Finish(es)</b>	galvanised
<b>packing unit</b>	pack of 10
<b>item number</b>	5 110615 0 01006



cross section