

SIMONSWERK

BAKA®

butt hinge QF 1/160

for rebated timber door leaves

hinge

Technical details

knuckle length	160,0 mm
material thickness	3,0 mm
screws	5,0 x 50,0 mm
pin diameter	12,0 mm

Note

Version with fixed pin.

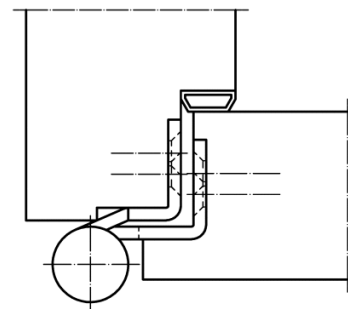
Please consider DIN reference.

Items (DIN reference: DIN left hand)

Finish(es)	galvanised
packing unit	pack of 10
item number	5 130591 2 01006

Items (DIN reference: DIN right hand)

Finish(es)	galvanised
packing unit	pack of 10
item number	5 130591 1 01006



cross section