

SIMONSWERK

METAL CONSTRUCTIONS

KO 5-F/31

weld-on hinge for fire resistant steel doors

hinge

Technical details

knuckle length	200,0 mm
knuckle diameter	26,0 mm
material thickness	5,0 mm
pin diameter	16,0 mm

Note

Version with loose, hardened pin, oil groove, security pin and hardened ball bearings, hinge pin and tips galvanized.

Certified for fire resistant doors T 30-2 "Essen". T 90-1 NRW, T 30-1, T 30-2, T 90-1, T 90-2 "Schröders".

Distance to pivot point 1 (b) = 26,5 mm

distance to pivot point 2 (c) = 31,0 mm

Functional areas

fire resistance und smoke resistance

Classification key

4	7	7	1	1	* ¹	1	14
---	---	---	---	---	----------------	---	----

¹ depending on the finish

Quality marks



Items (DIN reference: DIN right and left hand)

Finish(es)	steel self colour
packing unit	pack of 6
item number	5 140621 0 00205



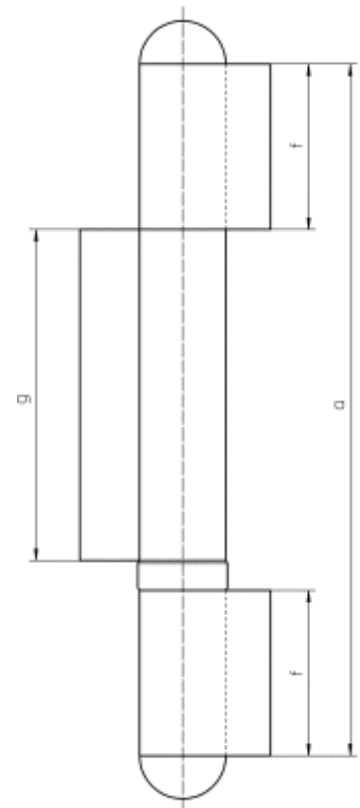
SIMONSWERK

METAL CONSTRUCTIONS

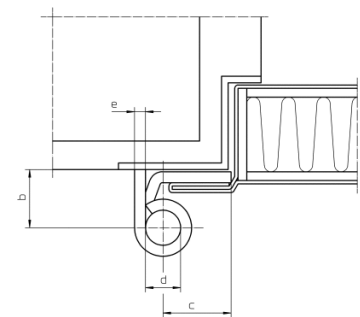
KO 5-F/31

weld-on hinge for fire resistant steel doors

hinge



front view



cross section