

# SIMONSWERK

## BAKA®

### gate hinge T 9/260

for unrebated timber gates

#### hinge

#### Technical details

knuckle length	260,0 mm
h x b frame leaf	80,0 x 65,0 mm
material thickness	5,0 mm
screws	6,0 x 50,0 mm
h x b door leaf	100,0 x 65,0 mm
pin diameter	16,0 mm

#### Note

Version with loose, galvanised pin.

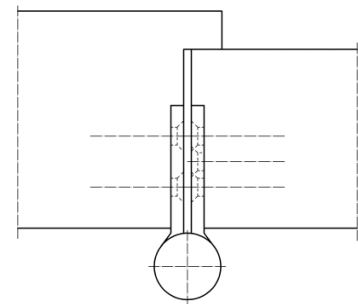
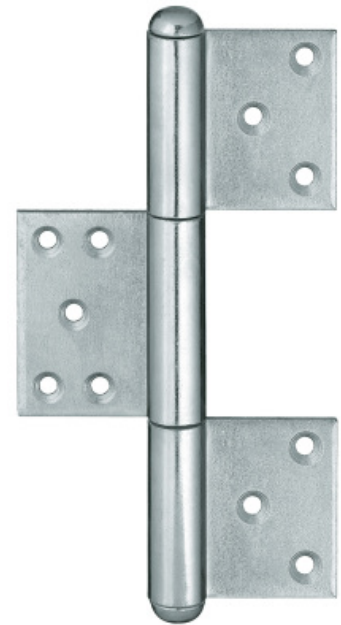
Use of washers or ball bearings obligatory. These are not included in the delivery.

#### Combination

accessories	iron washer 16 mm
	steel washer 16 mm
	brass washer 16 mm
	ball bearing 16 mm

**Items** (DIN reference: DIN right and left hand)

<b>Finish(es)</b>	galvanised
<b>packing unit</b>	pack of 6
<b>item number</b>	5 130657 0 01005



cross section