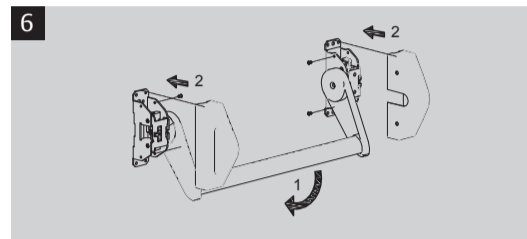
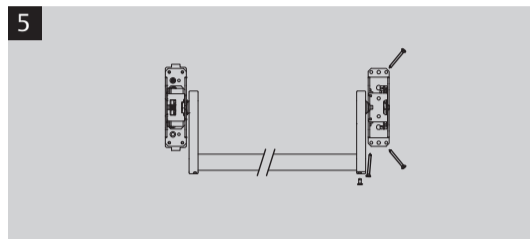
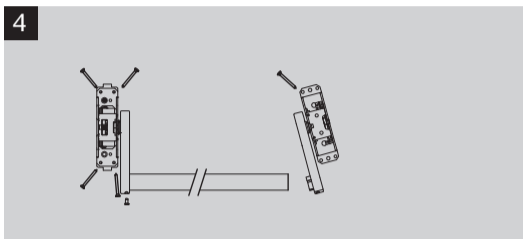
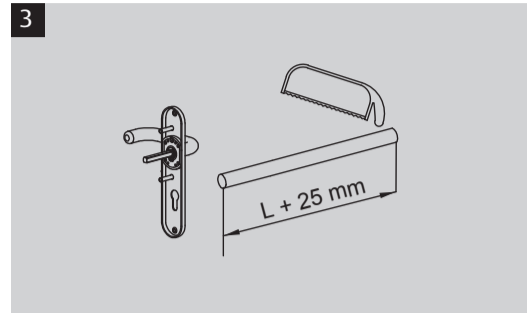
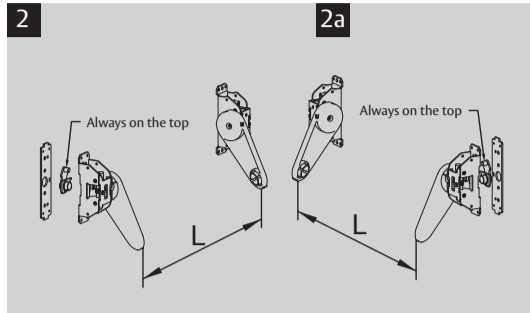
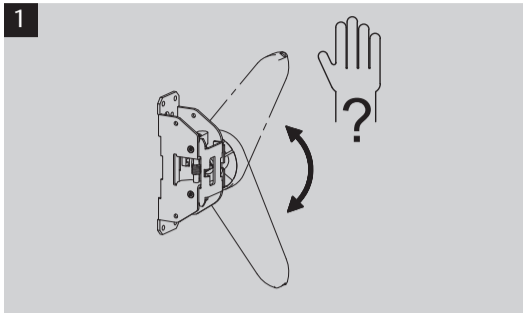
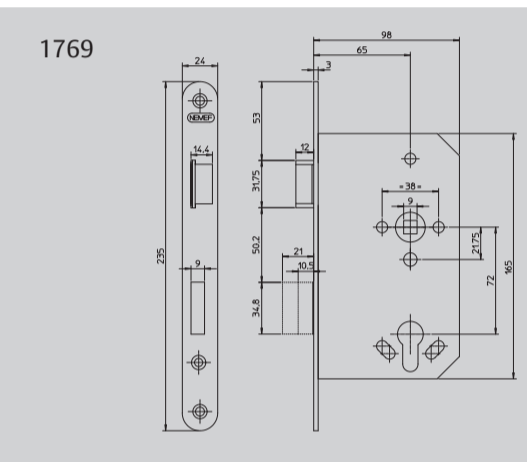
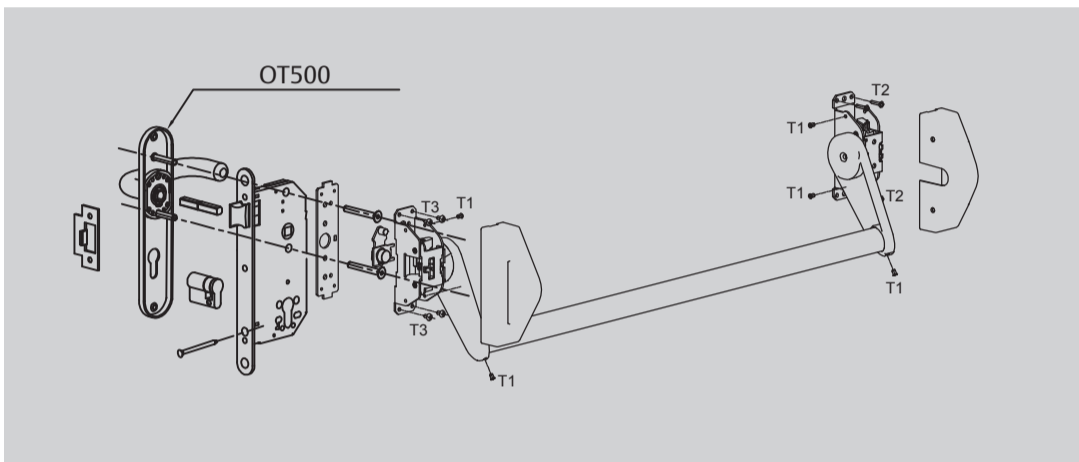
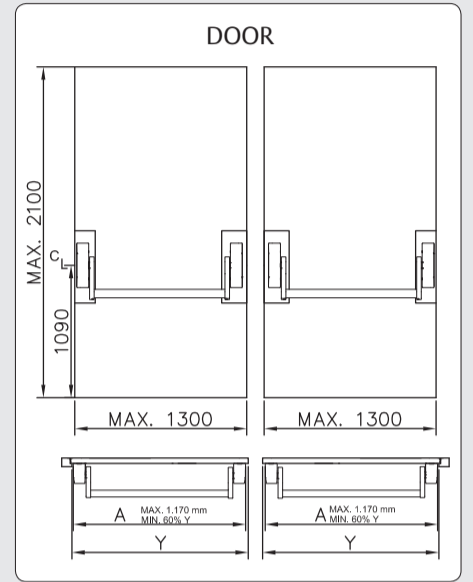


Instalation Instruction



CE	ASSA ABLOY EAST EUROPE Dolnoměcholupská 1418/12 102 00 Praha 10 Czech Republic	13
	1488-CPD-0401/W	3 6 5 B 1 3 2 2 A A
UNE-EN 1125: 2009		



Standard	PCS
T1 M4 x 6.5	6
T2	6
T3 M4 x 5	4

