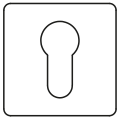
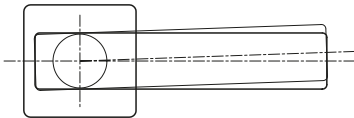


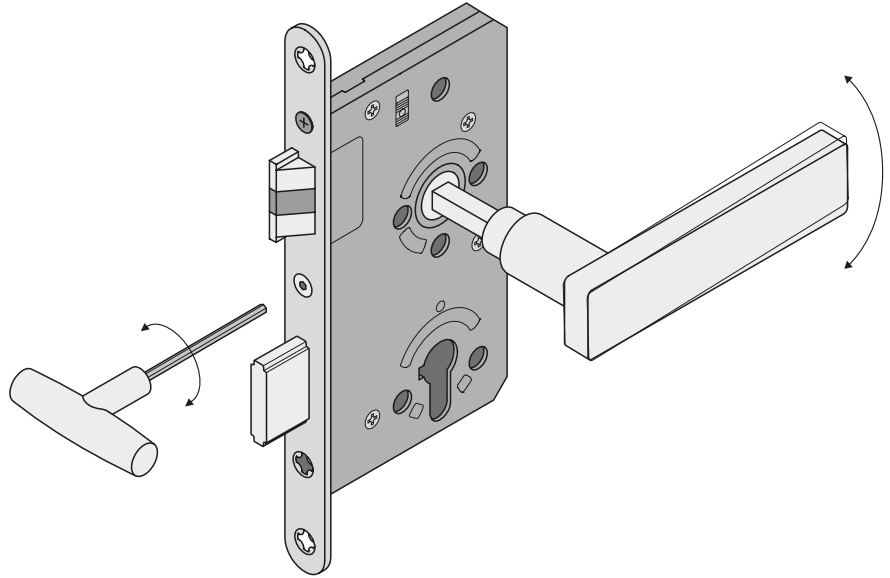
## It's a straight case of better looks: Angle adjustment of the lock follower

SSF 50-55 Series locks are optionally available with a device for adjusting the angle of the lever handle. DIN 18 251-1 states that the lock follower may be supplied and assembled with an angle adjustment of max. 2° upwards. The consequence of this, however, is that visual shortcomings emerge at the assembly stage - notably in the case of geometrically linear lever handle forms, very much to the annoyance of users who lay store by matters of fine detail and to whom a tidy looking door with strictly horizontal lever handle is paramount.

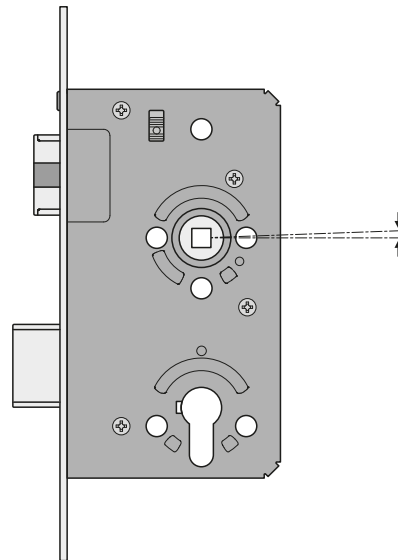


SSF 50-55 Series locks make up for this deficit through the option of placing the lock follower at an angle. With the lock and lever handle fully fitted it is possible to move the latter up to 3° downwards by rotating a screw in the forend and in this way offset the angling permitted by the standard.

SSF 50-55 Series locks:  
subsequent adjustment of up to 2° for aesthetic purposes



Admissible under DIN 18 251-1:  
lock follower angled no more than. 2° upwards



Illustrative order:

ES 55 NV PZW FR 24 | 55 72 08 RS EST

(for a Series 55 lock with angle adjustment, forend 24 mm, backset 55 mm, EPC 72 mm, follower 8 mm, RH)